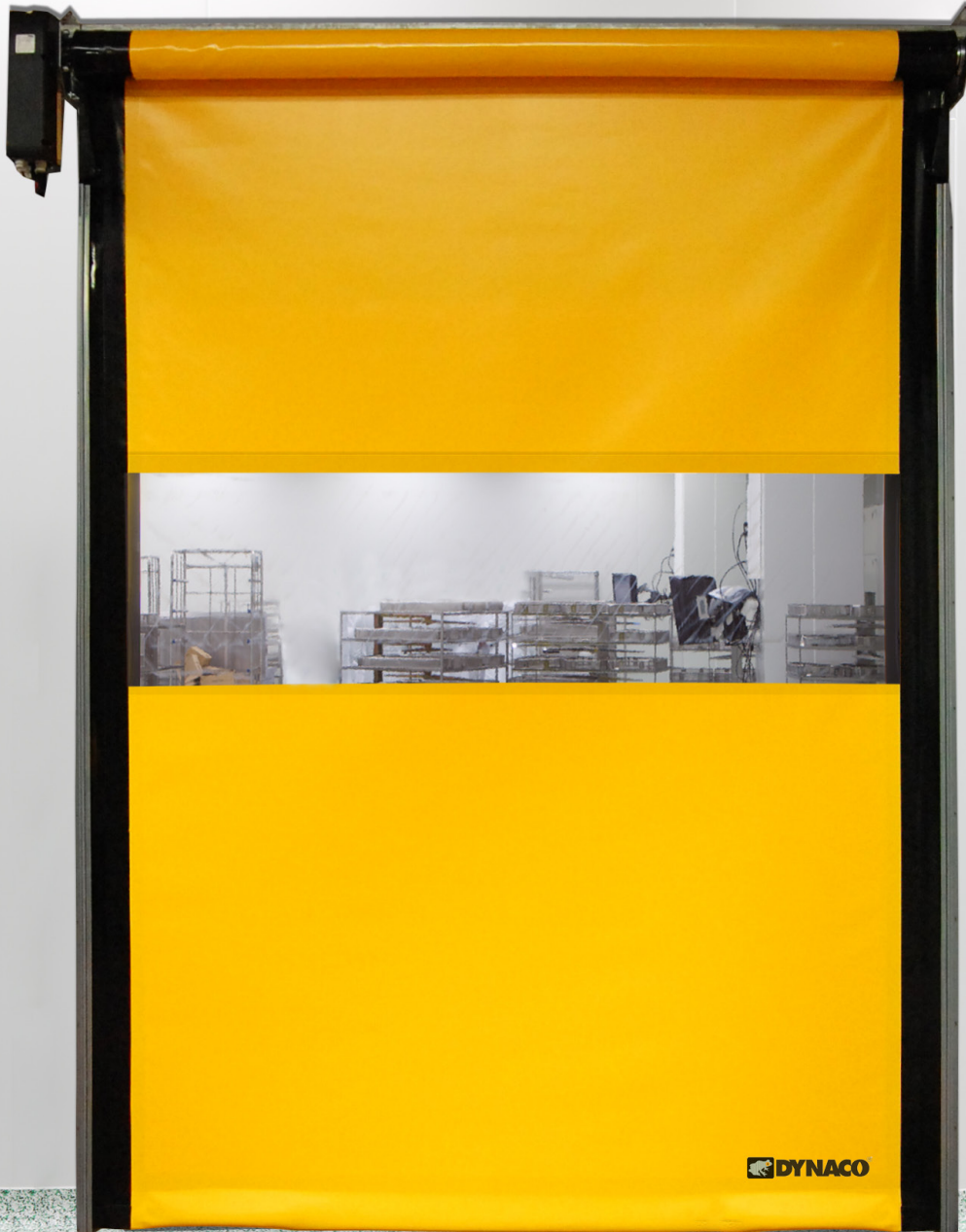




D-310 LF

Interior applications - gravity driven / Low Friction Technology



Opening speed
Up to 1 m/s.

Superior seal
The patented side guides and «BEAD» technology provide a good seal and allow energy savings.

Crash forgiving and selfreinserting without intervention
The curtain reintroduces itself automatically after a crash. This reduces maintenance and production down time.

User safety
The flexible curtain moulds itself. It contains no rigid elements. Thus, it increases user safety.

Advanced drive
Wearable elements are reduced to a minimum.

Conform to EN13241-1

The DYNACO **D-310 LF** (Low Friction) is designed for internal applications. It is a perfect, entry level solution for applications targeting 25.000 cycles per year.

As all DYNACO doors, the D-310 LF requires little space. It protects your environment against drafts, humidity, dust and dirt. With its speed and perfect seal, the D-310 LF improves your traffic flow and increases employee comfort. A DYNACO D-310 LF door also assures significant energy savings.



D-310 LF

EN13241-1 STANDARDS

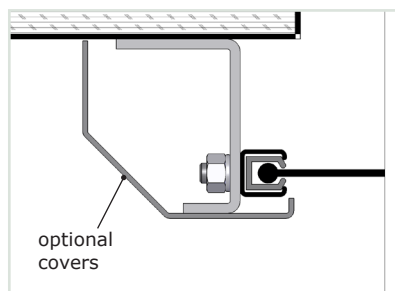
| Standard | Ref. | Test acc. | Results |
|------------------------|----------|-----------|----------|
| Water permeability: | EN 12425 | EN 12489 | NPD |
| Wind load: | EN 12424 | EN 12444 | Class 2* |
| Wind permeability: | EN 12426 | EN 12427 | NPD |
| Safe openings: | EN 12453 | EN 12445 | Pass |
| Mechanical resistance: | EN 12604 | EN 12605 | Pass |
| Unintended movement: | EN 12604 | EN 12605 | Pass |

* Interior applications only

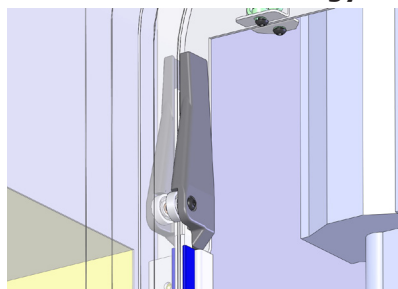
CHARACTERISTICS

| | |
|----------------------------------|--|
| Max. dimensions: | W: 3.000 mm x H: 3.000 mm |
| Opening speed: Closing speed: | up to 1 m/sec up to 1 m/sec |
| Structure: | Folded steel 37 x 52 x 3 mm, galvanised before cutting and folding |
| Drum: | Steel - Ø 102 x 2 mm |
| Side guides: | Reinforced Polyethylene (PE-UHMW) |
| Motor: | 2 poles, with brake. Power 0,5 kW Protection degree: IP 54 Integrated controller |
| Commands: | Push buttons open-close-stop standard |
| Standard detectors: | Infrared barrier |
| Power supply - frequency | Three phased 230V/400V - 6A /3A Single phase not available Frequency: 50 Hz |
| Available colours | Yellow RAL1003 Green RAL6005 Orange RAL2004 Grey RAL7035 Red RAL3000 White RAL9010 Blue RAL5002 Black RAL9005 |

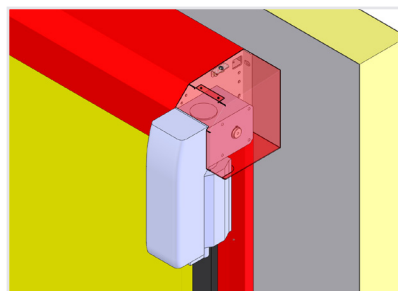
Side Guide



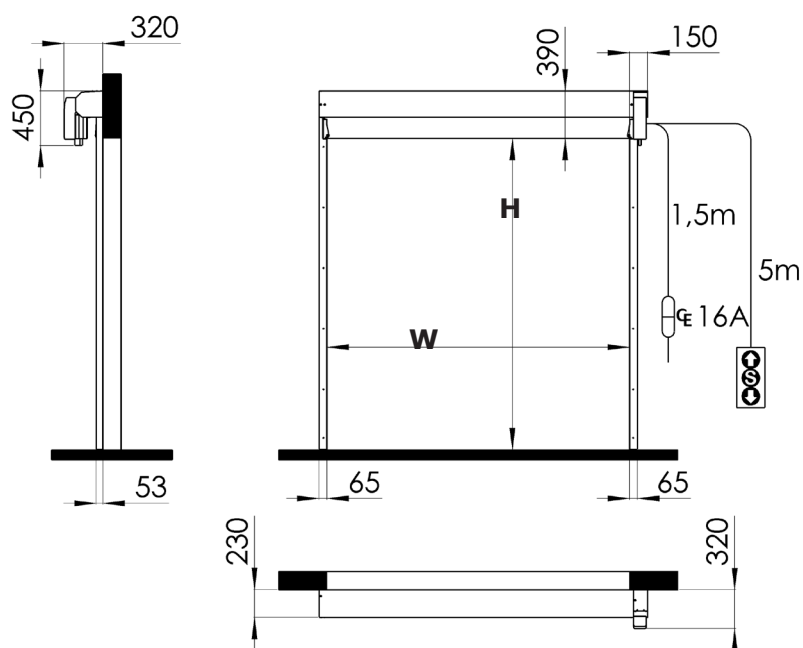
Reintroduction block^{PT} "Low Friction" technology



Motor with optional covers



Measures D-310 LF



All indicated dimensions are based on exact width and height dimensions only. The space necessary for mounting and maintenance has to be provided.

REMARK: Based on the risk analysis of the environment, extra push buttons, detectors and covers might be required.

V.1.0 - 1/7/2010

DYNACO. THE SAFEST CHOICE



Waverstraat 21 - B 9310 Moorsel - Belgium - Tel. ++32 (0)53 72 98 98 - Fax. ++32 (0)53 72 98 50 - info@dynaco.eu - www.dynacodoor.com